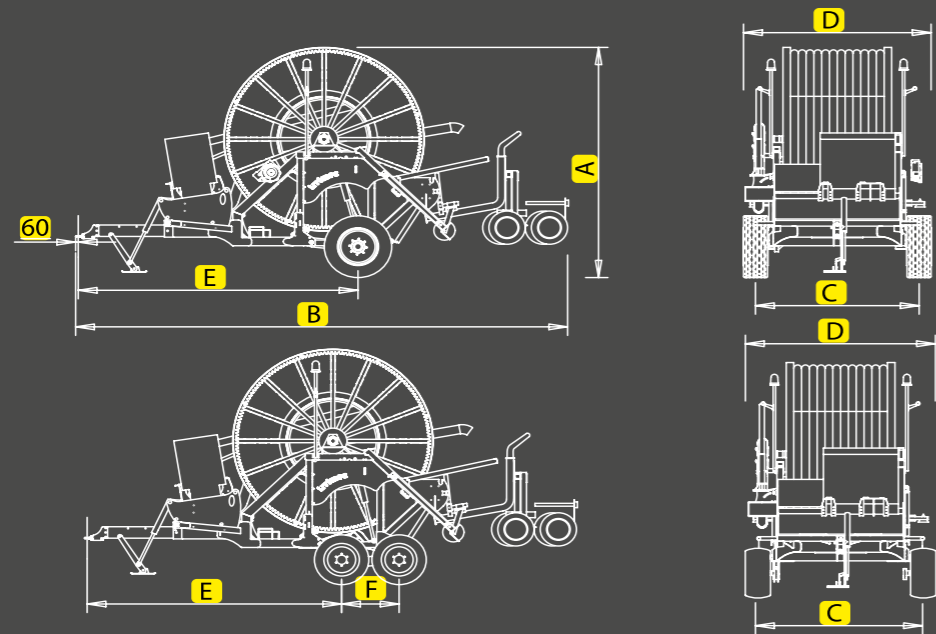


	BASE FRAME	DIAMETRO Ø PE mm	LUNGHEZZA TUBO PE LENGTH m
<b>MF3 MP</b> Motore FTP IVECO F32 MNSA01.00 (83 HP) TIER 3 Pompa CAPRARI MEC MG 80/2A Motore IVECO NEF N45MNSTX20.50 (126 HP) TIER 3 Pompa CAPRARI MEC MG 100 HT/2C	<b>MF3 MP</b>	100	420 - 450 - 470 - 530 - 630
	<b>MF3 MP</b>	110	350 - 400 - 420 - 440 - 500 - 550 - 600
	<b>MF3 MP</b>	120	320 - 400 - 470
	<b>MF3 MP</b>	125	300 - 330 - 350 - 370 - 420 - 450
	<b>MF3 MP</b>	135	350 - 380 - 400
<b>MDT8/2 MP</b> Motore FTP IVECO NEF N45MNSTX20.50 (126 HP) TIER 3 Pompa CAPRARI MEC MG 80 4/3 Motore FTP IVECO NEF N67MNTX20.00 (175 HP) TIER 3 Pompa CAPRARI MEC MG 100 HT/2A	<b>MDT8/2 MP</b>	110	580 - 600 - 650
	<b>MDT8/2 MP</b>	120	460 - 500 - 550
	<b>MDT8/2 MP</b>	125	450 - 500 - 530 - 560
	<b>MDT8/2 MP</b>	135	400 - 420 - 480 - 500 - 530
	<b>MDT8/2 MP</b>	140	400 - 450
<b>MM3 MP</b> Motore FTP IVECO NEF N45MNSTX20.50 (126 HP) TIER 3 Pompa CAPRARI MEC MG 80 4/3 Motore IVECO NEF N67MNTX20.00 (175 HP) TIER 3 Pompa CAPRARI MEC MG 100 HT/2A	<b>MM3 MP</b>	110	750
	<b>MM3 MP</b>	120	630 - 650 - 680
	<b>MM3 MP</b>	125	600 - 650
	<b>MM3 MP</b>	135	500 - 530 - 550 - 600
	<b>MM3 MP</b>	140	450 - 480 - 500 - 550
	<b>MM3 MP</b>	150	400 - 430 - 450 - 480
<b>MDT12 MP</b> Motore FTP IVECO NEF N67MNTX20.00 (175 HP) TIER 3 Pompa CAPRARI MEC MG 100 HT/2A Motore IVECO NEF N67ENTA20.00 (238 HP) TIER 3 Pompa CAPRARI MEC MG 125 HT/2C	<b>MDT12 MP</b>	125	650 - 670 - 720 - 750
	<b>MDT12 MP</b>	135	450 - 500 - 530 - 650 - 720
	<b>MDT12 MP</b>	140	550 - 580 - 600 - 650
	<b>MDT12 MP</b>	150	450 - 500 - 550 - 580 - 600
	<b>MDT12 MP</b>	160	480 - 500



IRRIMEC s.r.l.  
 Via Torino, 3 - Zona Industriale  
 29010 Calendasco (Piacenza) Italy  
 tel. +39 0523 760441 - fax +39 0523 760444  
[www.irrimec.com](http://www.irrimec.com)



Semoventi  
 con motopompa incorporata  
 Hose reel irrigators  
 with mounted pump set





MF3 MP



MDT8/2 MP 4R



Centralina con acceleratore elettrico e tecnologia GSM  
Control box with electric throttle controller and GSM device



Radiocomando per movimentazione idraulica  
Remote control for hydraulic movements



Marmitta residenziale  
Quiet running engine



Cabina insonorizzata sollevabile idraulicamente  
Acoustic kit



Dosis 2 GSM



Carrello grossa portata a 4 ruote basculanti  
Trolley high flow guns with 4 pivot wheels



Bilanciere 2 ruote super larghe  
Two extra large wheel floating axle



Controllo irrigatore TopRain  
Gun control TopRain



MMP3 MP



MDT12 MP